

Attention:

This operator's manual should be read carefully before using the rifle!

Important measures when using arms:

All firearms are dangerous objects, they should be used and stored with utmost caution!

Always treat an unloaded weapon as if it was loaded. Never put your finger on the trigger, except when actually firing a shot. Always ensure that the weapon is pointing in a safe direction. Keeping the weapon in perfect condition ensures safety.

Weapons always have to be stored out of the reach of unauthorised persons.

Approved hearing and eye protection has to be used when shooting.

INHALTSVERZEICHNIS

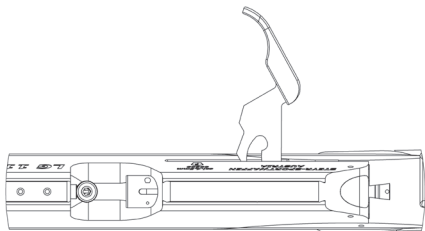
| | | |
|-----------|--|-----------|
| 1 | Technical Data | 32 |
| 2 | Cocking, loading and shooting | 33 |
| 3 | Trigger adjustment | 34 |
| 3.1 | First stage travel adjustment | 34 |
| 3.2 | First stage weight and single stage trigger adjustment | 35 |
| 3.3 | Second stage weight adjustment | 36 |
| 3.4 | Trigger blade adjustment | 36 |
| 4 | Muzzle velocity | 37 |
| 4.1 | Change of transfer port | 37 |
| 5 | Adjusting the stock | 38 |
| 5.1 | Adjusting front stock | 38 |
| 5.2 | Adjusting of grip | 39 |
| 5.3 | Cheek piece adjustment | 40 |
| 5.4 | Butt plate adjustment | 41 |
| 5.5 | Pich adjustment | 42 |
| 6 | Replacing and refilling the compressed-air cylinder | 43 |
| 7 | Assembly and disassembly | 44 |
| 8 | Cleaning and care | 45 |
| 9 | Guarantee clauses | 45 |
| 10 | Parts list LG 110 FIELD TARGET | 47 |
| 11 | Parts list LG 110 HIGH POWER | 51 |
| 12 | Parts list LG 110 HIGH POWER HUNTING | 54 |

1 TECHNICAL DATA

| | |
|--|----------------------------------|
| Caliber | 4.5 mm (.177) |
| | HP auch 5,0 mm/5,5 mm |
| Overall height | 165 mm - 225 mm Field Target |
| | 185 mm High Power |
| Overall length | 875 mm - 930 mm Field Target |
| | 890 mm High Power 4,5 mm |
| | 1.000 mm High Power 5,0/5,5 mm |
| Overall width | 58 mm |
| Sight length | 450 mm FT und HP 4,5 mm |
| | 550 mm HP 5,0/5,5 mm |
| Total weight without additional weights and sight heights | ca. 3.800 g Field Target |
| | 3.100 g High Power 4,5 mm |
| | 3.300 g High Power 5,0/5,5 mm |
| Maximum filling pressure | 200 bar |
| Power max. | 7,5 / 16 / 24 Joule Field Target |
| | 7,5 / 16 / 24 / 35 / 40 Joule HP |

2 COCKING, LOADING AND SHOOTING

Pull back the cocking lever all the way to the rear, this cocks the rifle and opens the loading port of the barrel. Insert a pellet and fully close the cocking lever handle. The rifle is ready for firing.



Note:

All LG 110 models are also available with left-hand cocking lever!

3 TRIGGER ADJUSTMENT

Please note: Before making any changes on the trigger, ensure that the weapon is unloaded!

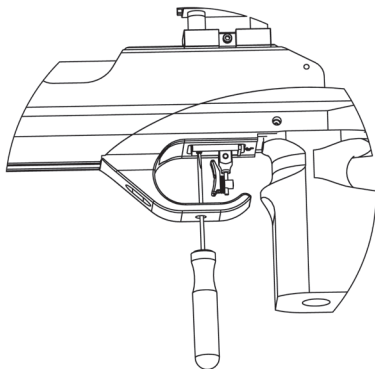
The trigger has the following individual adjustments:

- First stage travel adjustment
- First stage weight and single stage trigger adjustment
- Second stage weight adjustment
- Trigger blade adjustment

4.1 First stage travel adjustment

Turning the screw clockwise = shorter first stage travel

Turning the screw counter-clockwise = longer first stage travel

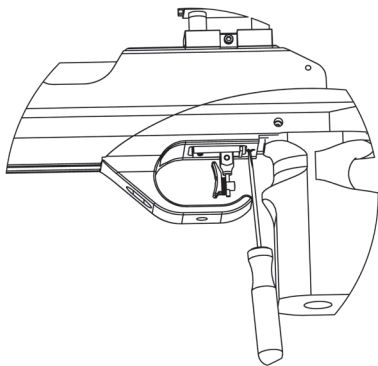


3.2 First stage weight and single stage trigger adjustment

Turning the screw clockwise
= higher first stage pressure

Turning the screw counter-clockwise
= lower first stage pressure

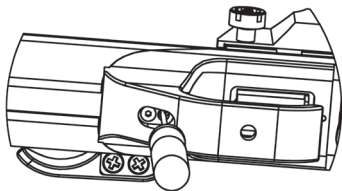
To get a single stage trigger, turn the screw counter-clockwise completely until first stage pressure is equal to zero.



3.3 Second stage weight adjustment

Turning the screw clockwise
= heavier second stage pull

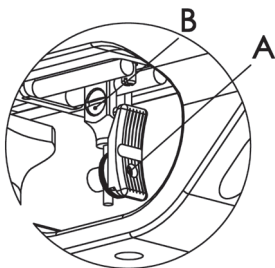
Turning the screw anti-clockwise
= lighter second stage weight.



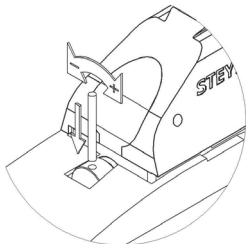
3.4 Trigger blade adjustment

Loosen countersunk screw A, the trigger blade may be moved in height and rotated.

Loosen countersunk screw B, the trigger blade may be moved longitudinally and can be angled.



4 MUZZLE VELOCITY (FT)



The muzzle velocity can be finely adjusted to any ammunition by turning the velocity screw as shown on the illustration.

4.1 Change of transfer port (FT)

The muzzle energy can be reduced from 16 to 7.5 joules by changing the standard black transfer port to the gold one.

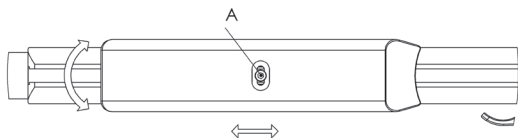
It is not possible to change the muzzle energy from 24 joules to below 16 joules by changing the transfer ports.

(See also the FAQ Site at www.steyr-sport.com)

5 ADJUSTING THE STOCK

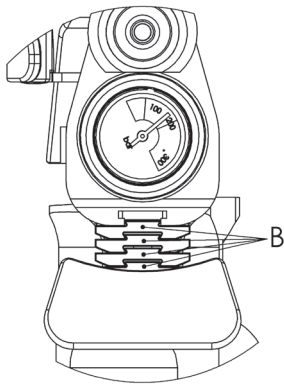
5.1 Adjusting front stock (not for HP version)

The front-stock can be moved in length and can be angled by opening screw A.



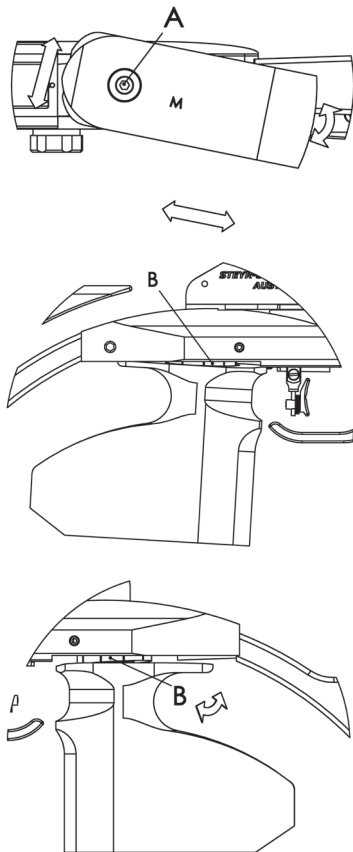
Adding or removing the spacers (B) will adjust the height.

Please note: You must use the right length of screw, if too long of a screw is used, then surface of the housing will be damaged!



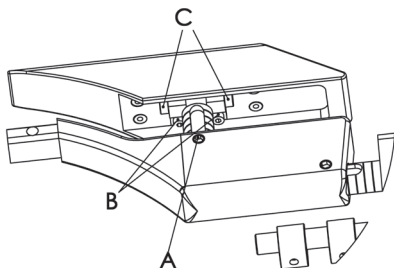
5.2 Adjusting of grip (FT)

The grip can be moved in length by loosening screw A, turned and moved laterally. Additionally with grip set disc B the grip can be adjusted in angle.

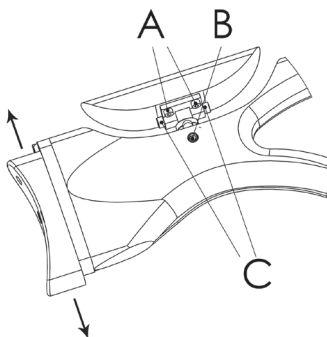


5.3 Cheek piece adjustment

Screw A allows the cheek piece to be adjusted in height. Loosening screws B, the cheek piece can be moved laterally and turned. Loosening screw C, the cheek piece can be angled.



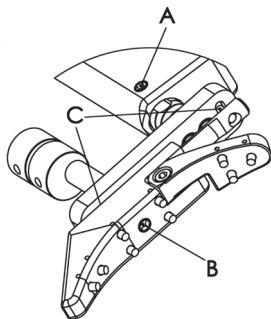
Field Target



High Power Hunting

5.4 Butt plate adjustment (FT)

Screw A allows the butt plate to be moved in length. Screw B lets the butt plate be adjusted in height. After loosening screws C, the butt plate can be moved laterally.



The plate of the butt plate can be adjusted in 2 different heights by loosening screws D. Additionally the plate can be adjusted in two different angles: 90° and 80°.

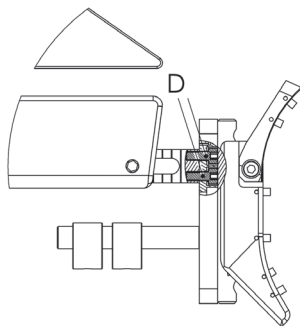
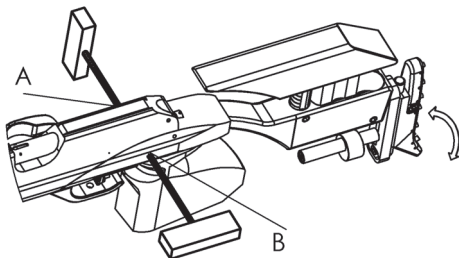


Illustration shows LG 110 FT

5.5 Pitch adjustment (FT)

By loosening screws A and B, the angle of the rear stock can be adjusted.



6 REPLACING AND REFILLING THE COMPRESSED-AIR CYLINDER

Compressed-air cylinders must be emptied and safely disposed of 10 years after production date. The legal requirements and rules of the respective country must be adhered to.

The compressed-air cylinder may be unscrewed and removed at any time without being emptied.”

WARNING! Do not tamper with compressed-air cylinder and valve. It may cause injury!

The compressed-air cylinder is to be charged with a maximum filling pressure of 200 bar.

For recharging the cylinder proceed as follows:

- either mount the compressed-air cylinder on a recharging bottle
- or mount the compressed-air cylinder on a hand pump
- or mount the compressed-air cylinder on a compressor

(See also the FAQ Site at www.steyr-sport.com)

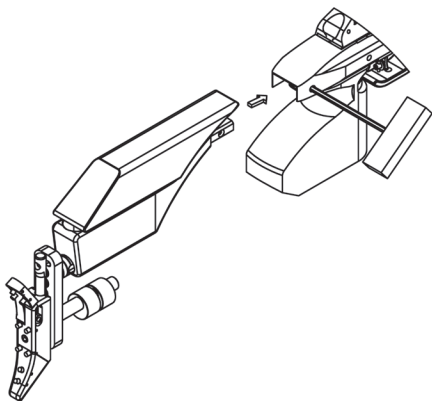
7 ASSEMBLY AND DISASSEMBLY

(for Connect versions only)

Knocked down to 2 parts, the LG 110 can easily be transported.

Assembly:

Insert the rear stock up to the stop of the stock and lock with Allen key.



8 CLEANING AND CARE

In standard use the weapon operates maintenance-free and no oiling is required.

To clean the barrel shoot some dry (not greased) felt pellets or cleaning strings through the barrel (available at your dealer).

The barrel weights and the trimmer with its weights should be wiped with an oil-soaked cloth from time to time.

9 GUARANTEE CLAUSES

If within two years from the day of purchase any cracks or breaks should occur on this weapon that are due to material failure we undertake repair the defective parts free of charge (except breakage or cracking of the stock or O-rings).

Guarantee will be given by either replacing or repairing the weapon or parts of it at our sole discretion. **The guarantee is only valid if the fully completed guarantee card is returned immediately after purchasing the weapon.**

No guarantee claims will be accepted by the STEYR SPORT GmbH if:

- a) the weapon has been damaged or destroyed by force majeure or environmental influences;
- b) in case of damages/defects having been caused by improper treatment, or handling or by lack of care.
- c) if the weapon has been repaired, machined or altered by any person or workshop other than an authorised STEYR SPORT GmbH workshop.

Claims for damages and product liability:

No claims for direct or indirect damages will be accepted.

Liability for material damages resulting from the product liability law, (PHG) as well as any product liability claims that could be derived from other provisions are excluded.

The object of purchase warrants only that type of safety which may be expected in accordance with the homologation rules, service manual, manufacturer's instructions as well as any other pertinent information received.

The above clauses govern the full customer/manufacturer relationship with our company. Any additional claims, in particular for any kind of damages or losses caused by the weapon or its use, are excluded.

Guaranteed STEYR SPORT accuracy:

Our barrels are made from high quality barrel steel and are produced according to the latest findings in barrel production technology. Our weapons are well known for their outstanding accuracy. However, the accuracy of a weapon depends on several factors; one of the most important factors is the ammunition used. Not every ammunition „fits“ every barrel equally good.

If you follow our suggestion, we guarantee that you will achieve outstanding accuracy with your new product.

To check precision with a clamped weapon, it is advisable to clamp the weapon around the area of the massive housing.

11 PARTS LIST LG 110 FIELD TARGET

| Item | Designation |
|------|---------------------------------|
| 1 | Housing |
| 2 | Weight cam |
| 3 | Catch rod |
| 4 | Trigger carrier |
| 5 | Trigger housing |
| 6 | Sear |
| 7 | Slotted set screw M3x10 |
| 8 | Slotted set screw M6x8 |
| 9 | Pressure spring |
| 10 | Pressure spring |
| 11 | Slotted set screw M3x0.35x6x2.5 |
| 12 | O-ring 6x2 |
| 13 | Clamping screw |
| 14 | Safety lever |
| 15 | Striker |
| 16 | Trigger blade |
| 17 | Trigger pin |
| 18 | Slotted set screw M3x5 |
| 19 | Slotted set screw M3x3 |
| 20 | Fillister head screw M3x8 |
| 21 | Bellview washer |
| 22 | Trigger mount complete |
| 24 | O-Ring 2.9x1.8 |
| 25 | Pressure spring |
| 26 | Adapter |
| 27 | Rubber screw lock |
| 28 | Velocity screw |
| 29 | Draw spring |
| 30 | Draw spring |
| 31 | Torsion spring |
| 32 | O-Ring 24x2 |
| 33 | Paralell pin 3m6x24 |
| 34 | Drift pin 3m6x10 |
| 35 | Spring-type straight pin 2x8-ST |
| 36 | STARLOCK disc |
| 37 | Slotted set screw M5x8 |

| Item | Designation |
|-------------|------------------------------|
| 38 | Washer A3.2 |
| 39 | Pressure spring |
| 40 | Valve complete LP/LG |
| 42 | Countersunk screw M3x10 TORX |
| 43 | Bolt |
| 45 | Stabilizer |
| 46 | Catch Lever |
| 47 | Ball 2.0 mm |
| 48 | Drag ring |
| 49 | Pressure spring |
| 50 | Slotted set screw M3x10 |
| 51 | O-Ring 3x1.5 |
| 52 | Drift pin 1.5m6x7 |
| 53 | O-ring 5.28x1.78 |
| 54 | Pressure spring |
| 55 | Sealing disc |
| 57 | Stock carrier |
| 60 | Upper support |
| 61 | Washer M5.3 A |
| 62 | Hexagon nut M5-5 |
| 63 | Slotted set screw M8x10 |
| 64 | Rubber butt plate spikes |
| 65 | Drift pin 2m6x8 |
| 66 | Drift pin 2m6x12 |
| 67 | Allen head cap screw M5x16 |
| 68 | Butt plate rod |
| 69 | Allen head cap screw M5x12 |
| 70 | Weight bar |
| 71 | Allen head cap screw M5x80 |
| 72 | Butt rod |
| 73 | Butt plate mount |
| 74 | Butt plate weight |
| 75 | Allen set screw M6x8 |
| 76 | Cheek piece carrier |
| 77 | Cheek piece rod |
| 78 | Cheek piece |
| 79 | Thread insert M4 |
| 80 | Allen head cap screw M4x12 |

| Item | Designation |
|-------------|---|
| 81 | Allen set screw M8x16 |
| 110 | Sliding block |
| 114 | Allen head cap screw M5x30 |
| 116 | Countersunkscrew M3x14 |
| 117 | Bolt cover |
| 118 | Grip locking rod |
| 119 | Slotted set screw M5x5 |
| 120 | Washer 5.3 |
| 127 | Pin |
| 128 | Steel ball 5.0 |
| 129 | Drift pin 2m6x6 |
| 153 | O-Ring 36x2 |
| 155 | Parallel pin 3m6x14 |
| 156 | Cocking lever |
| 157 | Cocking lever handle right Cocking lever handle left |
| 158 | Counter sunk screw M4x10 |
| 159 | Grip |
| 160 | Pistol grip angle adjusting disc |
| 161 | Stock bracket |
| 162 | Clamp piece |
| 163 | Grip rod mount |
| 164 | Allen set screw M5x6 |
| 166 | Stock cover |
| 173 | Allen screw M4x16 |
| 177 | O-Ring 13x2 |
| 178 | Disc spring |
| 179 | Ball bearing |
| 180 | Roller |
| 181 | Bolt axle |
| 182 | Cocking lever roller |
| 183 | Countersunk screw M3x5 |
| 202 | Teflon washer |
| 222 | Slotted set screw M3x8 |
| 230 | Fore arm FT 2011 |
| 231 | Fore arm carrier FT 2011 |
| 232 | Slotted cheese head screw M5x60 |
| 233 | Pressure spring |

| Item | Designation |
|-------------|---------------------------------|
| 234 | Slotted cheese head screw M6x30 |
| 235 | Washer 6.4x16 |
| 237 | Screw nut SK |
| 241 | 8 duct compensator cone |
| 244 | Compensator FT 2011 |
| 247 | Butt plate rod FT |
| 248 | Attachment |
| 250 | Housing long 660 mm |
| 251 | Barrel 4.5 mm / .177 550 mm |
| 252 | Butt plate FT 2011 |

Subunits

| | |
|------|----------------------------------|
| 2,1 | Trigger unit FT |
| 3,1 | Bolt complete |
| 7,6 | Butt plate weight complete |
| 8,1 | Pressure reducing valve complete |
| 9,1 | Compressed air cylinder complete |
| 10,2 | Fore arm FT 2011 complete |
| 10,3 | Compensator FT 2011 complete |
| 10,4 | Stock FT 2011 complete |
| 10,5 | Butt plate FT 2011 complete |
| 10,6 | Butt stock FT 2011 complete |
| 22,1 | Trigger blade complete |
| 25,1 | Cocking lever complete right |
| 38,1 | Filling Adapter complete |
| 44 | Bolt axle complete |
| 55,1 | Sealing disc complete |

11 PARTS LIST LG 110 HIGH POWER

| Item | Designation |
|------|---------------------------------|
| 1 | Housing |
| 2 | Weight cam |
| 3 | Catch rod |
| 4 | Trigger carrier |
| 5 | Trigger housing |
| 6 | Sear |
| 7 | Slotted set screw M3x10 |
| 8 | Slotted set screw M6x8 |
| 9 | Pressure spring |
| 10 | Pressure spring |
| 11 | Slotted set screw M3x0.35x6x2.5 |
| 12 | O-ring 6x2 |
| 13 | Clamping screw |
| 14 | Safety lever |
| 15 | Striker |
| 16 | Trigger blade |
| 17 | Trigger pin |
| 18 | Slotted set screw M3x5 |
| 19 | Slotted set screw M3x3 |
| 20 | Countersunk screw M3x8 |
| 21 | Bellview washer 10 |
| 22 | Trigger post clamp |
| 24 | O-Ring 2.9x1.8 |
| 25 | Pressure spring |
| 26 | Adapter |
| 27 | Rubber screw lock |
| 28 | Velocity screw HV |
| 29 | Draw spring |
| 30 | Draw spring |
| 31 | Torsion spring |
| 32 | O-Ring 24x2 |
| 33 | Paralell pin 3m6x24 |
| 34 | Drift pin 3m6x10 |
| 35 | Spring-type straight pin 2x8-ST |
| 36 | STARLOCK disc |
| 37 | Slotted set screw M5x8 |

| Item | Designation |
|-------------|---|
| 38 | Washer A3.2 |
| 39 | Pressure spring |
| 40 | Valve complete LP/LG |
| 42 | Countersunk screw M3x10 TORX |
| 43 | Bolt |
| 45 | Stabilizer |
| 46 | Catch Lever |
| 47 | Ball 2.0 mm |
| 48 | Drag ring |
| 49 | Pressure spring |
| 50 | Slotted set screw M3x10 |
| 51 | O-Ring 3x1.5 |
| 52 | Drift pin 1.5m6x7 |
| 53 | O-ring 5.28x1.78 |
| 54 | Pressure spring |
| 55 | Sealing disc |
| 56 | Barrel 4.5 mm / .177 Barrel 5.5 mm / .22 Barrel 50 mm / .20 |
| 60 | Bolt HV |
| 66 | Allen set screw M6x20 |
| 99 | Stock HP |
| 116 | Countersunkscrew M3x14 |
| 117 | Bolt cover |
| 119 | Slotted set screw M5x5 |
| 127 | Pin |
| 129 | Drift pin 2m6x6 |
| 153 | O-Ring 36x2 |
| 156 | Cocking lever |
| 157 | Cocking lever handle right Cocking lever handle left |
| 158 | Counter sunk screw M4x10 |
| 166 | Stock cover |
| 173 | Allen screw M4x16 |
| 177 | O-Ring 13x2 |
| 179 | Ball bearing |
| 180 | Roller |
| 181 | Bolt axle |

| Item | Designation |
|-------------|----------------------------|
| 182 | Cocking lever roller |
| 183 | Countersunk screw M3x5 |
| 185 | Allen head cap screw M5x80 |
| 186 | Washer M5.3 A |
| 221 | Washer HP |
| 202 | Teflon washer |
| 222 | Slotted set screw M3x8 |

Subunits

| | |
|------|----------------------------------|
| 2,1 | Trigger unit |
| 3,1 | Bolt complete |
| 3,2 | Bolt complete HV |
| 7,1 | Stock complete |
| 8,1 | Pressure reducing valve complete |
| 9,1 | Compressed air cylinder complete |
| 22,1 | Trigger blade complete |
| 25,1 | Cocking lever complete right |
| 38,1 | Filling Adapter complete |
| 44 | Bolt axle complete |
| 55,1 | Sealing disc complete |

12 PARTS LIST LG 110 HIGH POWER HUNTING

| Item | Designation |
|------|--|
| 1 | Housing |
| 2 | Weight cam |
| 3 | Catch rod |
| 4 | Trigger carrier |
| 5 | Trigger housing |
| 6 | Sear |
| 7 | Slotted set screw M3x10 |
| 8 | Slotted set screw M6x8 |
| 9 | Pressure spring (only for cal. .20/.22 24/35/40 Joule) |
| 10 | Pressure spring |
| 11 | Slotted set screw M3x0.35x6x2.5 |
| 12 | O-ring 6x2 |
| 13 | Clamping screw |
| 14 | Safety lever |
| 15 | Striker |
| 16 | Trigger blade |
| 17 | Trigger pin |
| 18 | Slotted set screw M3x5 |
| 19 | Slotted set screw M3x3 |
| 20 | Countersunk screw M3x8 |
| 21 | Bellview washer 10 |
| 22 | Trigger post clamp |
| 24 | O-Ring 2.9x1.8 |
| 25 | Pressure spring |
| 26 | Adapter |
| 27 | Rubber screw lock |
| 28 | Velocity screw HV |
| 29 | Draw spring |
| 30 | Draw spring |
| 31 | Torsion spring |
| 32 | O-Ring 24x2 |
| 33 | Paralell pin 3m6x24 |
| 34 | Drift pin 3m6x10 |
| 35 | Spring-type straight pin 2x8-ST |
| 36 | STARLOCK disc |
| 37 | Slotted set screw M5x8 |

| Item | Designation |
|-------------|------------------------------------|
| 38 | Washer A3.2 |
| 39 | Pressure spring |
| 40 | Valve complete LP/LG |
| 42 | Countersunk screw M3x10 TORX |
| 53 | O-ring 5.28x1.78 |
| 55 | Sealing disc |
| 56 | Barrel 4.5 mm / ,177 black |
| | Barrel 5.5 mm / .22 black |
| | Barrel 5.0 mm / .20 black |
| 60 | Bolt HV |
| 66 | Allen set screw M6x20 |
| 116 | Countersunkscrew M3x14 |
| 117 | Bolt cover |
| 119 | Slotted set screw M5x5 |
| 127 | Pin |
| 129 | Drift pin 2m6x6 |
| 153 | O-Ring 36x2 |
| 156 | Cocking lever |
| 157 | Cocking lever handle right |
| | Cocking lever handle left |
| 158 | Counter sunk screw M4x10 |
| 166 | Stock cover |
| 173 | Allen screw M4x16 |
| 177 | O-Ring 13x2 |
| 179 | Ball bearing |
| 180 | Roller |
| 181 | Bolt axle |
| 182 | Cocking lever roller |
| 183 | Countersunk screw M3x5 |
| 185 | Allen head cap screw M5x80 |
| 186 | Washer M5.3 A |
| 187 | Stock HP Hunting incl. cheek piece |
| 188 | Butt plate elastic |
| 189 | Butt plate rail |
| 190 | Shoulder screw |
| 191 | Slotted cheese head screw |
| 192 | Clamping bush |
| 193 | Screw 3.5x45 |

| Item | Designation |
|-------------|-----------------------------|
| 194 | Allen set screw M8x16 |
| 195 | Cheek piece rod - black |
| 196 | Cheek piece carrier - black |
| 197 | Allen head cap screw M5x16 |
| 198 | Allen head cap screw M4x12 |
| 199 | Thread insert M4 |
| 200 | Screw 2.5x12 |
| 201 | Butt plate mount 10 mm |
| 221 | Washer HP |
| 202 | Teflon washer |
| 222 | Slotted set screw M3x8 |

Subunits

| | |
|-------|----------------------------------|
| 2,1 | Trigger unit |
| 8,1 | Pressure reducing valve complete |
| 9,1 | Compressed air cylinder compl. |
| 22,1 | Trigger blade complete |
| 25,1 | Cocking lever compl. |
| 38,1 | Filling Adapter compl. |
| 44 | bolt axle complete |
| 55,1 | sealing disc compl. |
| 187,1 | Stock HP Hunting complete |
| 188,1 | Butt plate complete |