

Attention:

This operator's manual should be read carefully before using the rifle!

Important measures when using arms:

All firearms are dangerous objects, they should be used and stored with utmost caution!

Always treat an unloaded weapon as if it was loaded. Never put your finger on the trigger, except when actually firing a shot. Always ensure that the weapon is pointing in a safe direction. Keeping the weapon in perfect condition ensures safety.

Weapons always have to be stored out of the reach of unauthorised persons.

Approved hearing and eye protection has to be used when shooting.

TABLE OF CONTENTS

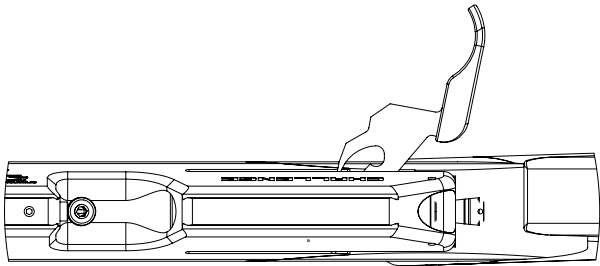
1	Technical Data	38
2	Cocking, loading and shooting	39
3	Trigger adjustment	40
3.1	First stage travel adjustment	40
3.2	First stage weight and single stage trigger adjustment	41
3.3	Second stage weight adjustment	42
3.4	Trigger blade adjustment	42
4	Muzzle velocity	43
4.1	Change of transfer port	43
5	Adjusting the stock	44
5.1	Adjusting front stock	44
5.2	Adjusting of grip	46
5.3	Cheek piece adjustment	47
5.4	Pich adjustment	50
6	Replacing and refilling the compressed-air cylinder	51
7	Assembly and disassembly	52
8	Cleaning and care	53
9	Guarantee clauses	53
10	Parts list STEYR Challenge Field Target	55
11	Parts list STEYR Challenge HFT	59
12	Parts list STEYR Challenge HFT Hunting	63
13	Parts list STEYR Challenge Hunting	66

1 TECHNICAL DATA

Caliber	4,5 mm (.177) Field Target / HFT / HFT Hunting 4,5 mm (.177), 5,0 mm (.20), 5,5 mm (.22) Hunting
Overall height	200 mm Field Target
(without sight)	175 mm HFT / HFT Hunting 170 – 180 mm Hunting
Overall length	1170 mm Field Target 910 mm HFT 930 mm HFT Hunting 1030 mm Hunting
Overall width	50 mm Field Target / HFT / HFT Hunting 45 mm Hunting
Sight length	550 mm Field Target / Hunting 450 mm HFT / HFT Hunting
Total weight without	ca. 4750 g Field Target
additional weights	ca. 3730 g HFT
and sight heights	ca. 3640 g HFT Hunting ca. 3490 g Hunting
Maximum filling pressure ...	200 bar
Power max.	7,5 / 16 / 24 Joule 4,5 mm (.177) 16 / 24 / 35 Joule 5,0 mm (.20) 16 / 24 / 40 Joule 5,5 mm (.22)

2 COCKING, LOADING AND SHOOTING

Pull back the cocking lever all the way to the rear, this cocks the rifle and opens the loading port of the barrel. Insert a pellet and fully close the cocking lever handle. The rifle is ready for firing.



Note:

All models are also available with left-hand cocking lever!

3 TRIGGER ADJUSTMENT

Please note: Before making any changes on the trigger, ensure that the weapon is unloaded!

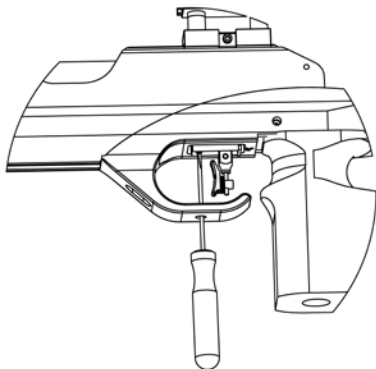
The trigger has the following individual adjustments:

- First stage travel adjustment
- First stage weight and single stage trigger adjustment
- Second stage weight adjustment
- Trigger blade adjustment

3.1 First stage travel adjustment

Turning the screw clockwise = shorter first stage travel

Turning the screw counter-clockwise = longer first stage travel

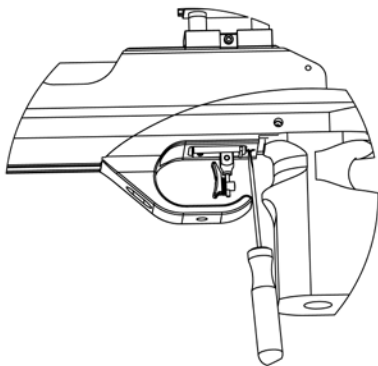


3.2 First stage weight and single stage trigger adjustment

Turning the screw clockwise
= higher first stage pressure

Turning the screw counter-clockwise
= lower first stage pressure

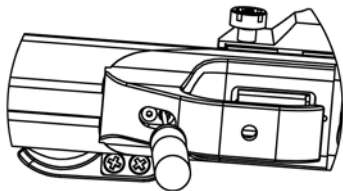
To get a single stage trigger, turn the screw counter-clockwise completely until first stage pressure is equal to zero.



3.3 Second stage weight adjustment

Turning the screw clockwise
= heavier second stage pull

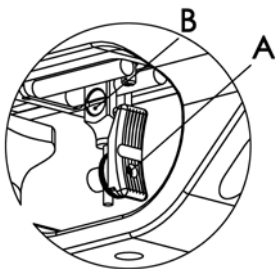
Turning the screw anti-clockwise
= lighter second stage weight.



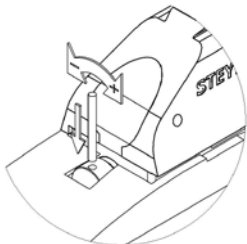
3.4 Trigger blade adjustment

Loosen countersunk screw A, the trigger blade may be moved in height and rotated.

Loosen countersunk screw B, the trigger blade may be moved longitudinally and can be angled.



4 MUZZLE VELOCITY



The muzzle velocity can be finely adjusted to any ammunition by turning the velocity screw as shown on the illustration.

4.1 Change of transfer port (FT)

The muzzle energy can be reduced from 16 to 7.5 joules by changing the standard black transfer port to the gold one.

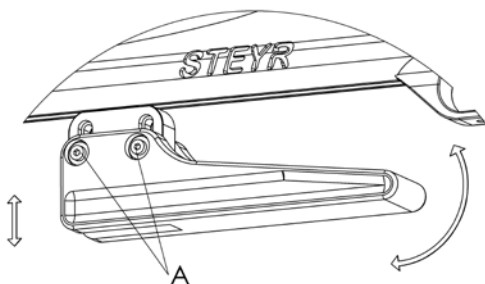
It is not possible to change the muzzle energy from 24 joules to below 16 joules by changing the transfer ports.

(See also the FAQ Site at www.steyr-sport.com)

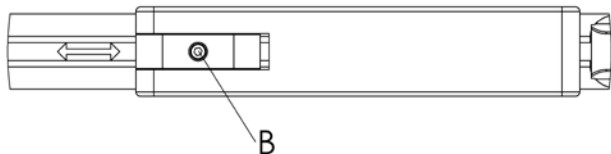
5 ADJUSTING THE STOCK (for Field Target Rifles only)

5.1 Adjusting front stock (FT)

The fore arm can be adjusted in height and rotated by opening the screws (A).

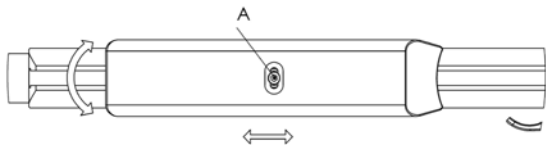


The fore arm can be moved in longitudinal direction by opening the screw (B).



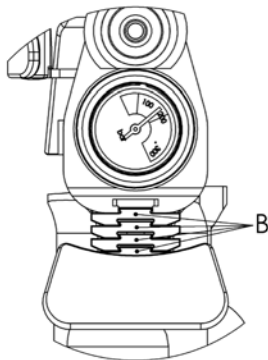
Adjusting front stock (HFT / HFT Hunting)

The front-stock can be moved in length and can be angled by opening screw A.



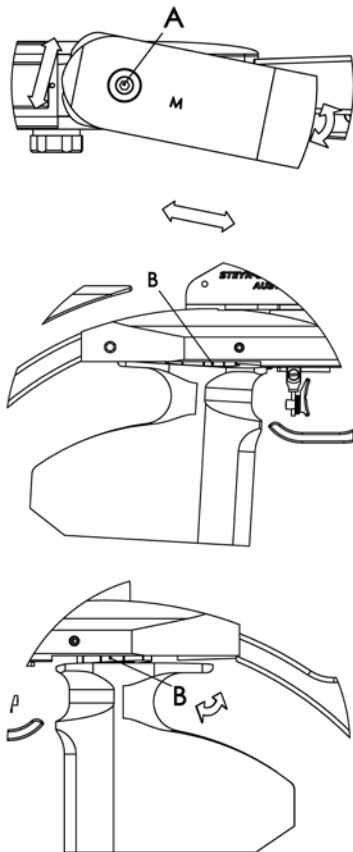
Adding or removing the spacers (B) will adjust the height.

Please note: You must use the right length of screw, if too long of a screw is used, then surface of the housing will be damaged!



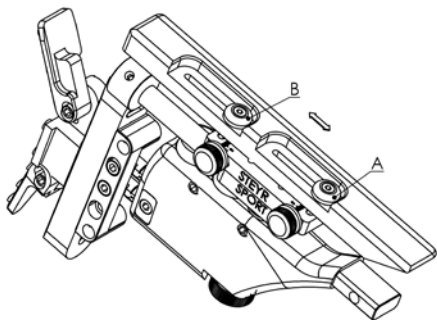
5.2 Adjusting of grip (FT / HFT)

The grip can be moved in length by loosening screw A, turned and moved laterally. Additionally with grip set disc B the grip can be adjusted in angle.

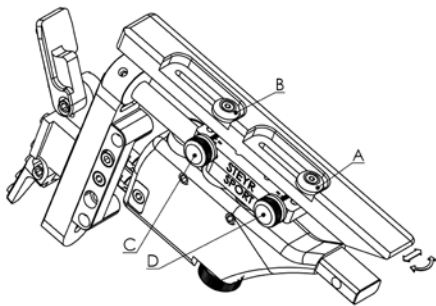


5.3 Cheek piece adjustment (Field Target)

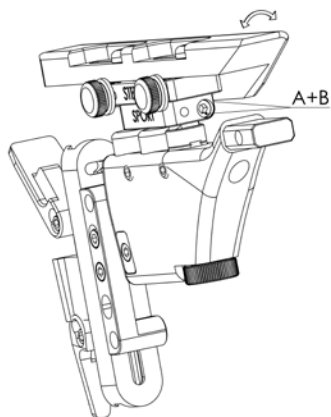
Screw A + B allows the cheek piece to be moved in length.



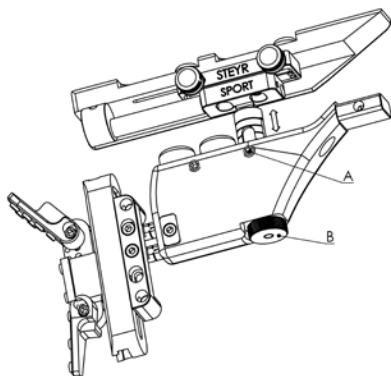
The cheek piece can be moved laterally and turned with the knurled screws C + D.



Loosening screw A + B, the cheek piece can be angled.

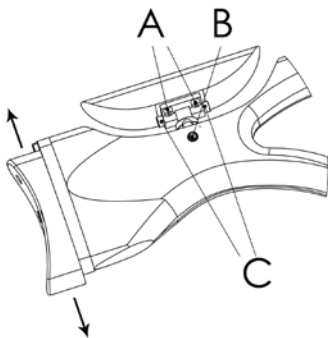


After loosening screw A the cheek piece can be adjusted in height with the knurled screw B.



HFT Hunting / Hunting

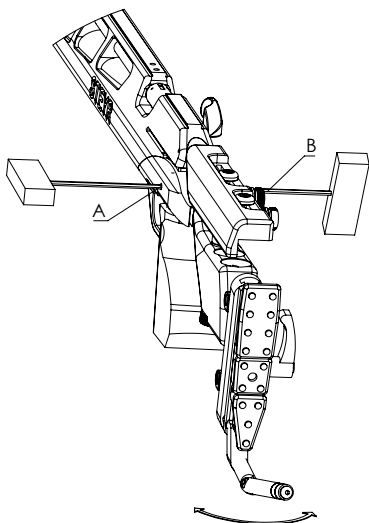
Screw A allows the cheek piece to be adjusted in height. Loosening screws B, the cheek piece can be moved laterally and turned. Loosening screw C, the cheek piece can be angled.



The butt plate can be adjusted in height.

5.4 Pitch adjustment (FT / HFT))

By loosening screws A and B, the angle of the rear stock can be adjusted.



6 REPLACING AND REFILLING THE COMPRESSED-AIR CYLINDER

Compressed-air cylinders must be emptied and safely disposed of 10 years after production date. The legal requirements and rules of the respective country must be adhered to.

The compressed-air cylinder may be unscrewed and removed at any time without being emptied.

Please note that the compressed air cylinder must be screwed fully into place by hand only. No tools may be used.

WARNING! Do not tamper with compressed-air cylinder and valve. It may cause injury!

The compressed-air cylinder is to be charged with a maximum filling pressure of 200 bar. Only use clean and dry compressed air.

For recharging the cylinder proceed as follows:

- either mount the compressed-air cylinder on a recharging bottle
- or mount the compressed-air cylinder on a hand pump
- or mount the compressed-air cylinder on a compressor

(See also the FAQ Site at www.steyr-sport.com)

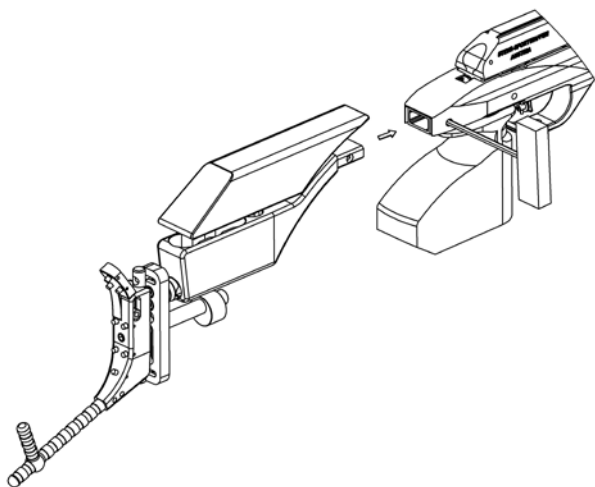
7 ASSEMBLY AND DISASSEMBLY

(for FT Connect version only)

Knocked down to 2 parts, Challenge FT and HFT can easily be transported.

Assembly:

Insert the rear stock up to the stop of the stock and lock with Allen key.



8 CLEANING AND CARE

In standard use the weapon operates maintenance-free and no oiling is required.

To clean the barrel shoot some dry (not greased) felt pellets or cleaning strings through the barrel (available at your dealer).

The barrel weights and the trimmer with its weights should be wiped with an oil-soaked cloth from time to time.

9 GENERAL GUARANTEE CONDITIONS

If any defects occur on this gun within two years that are due to material errors or inadequate manufacture, we will carry out a repair free of charge (this excludes breakages to the shaft or handle or defective O-rings). Defects must be reported to an authorised service partner or ourselves as soon as they have been discovered. The guarantee will be provided according to how we decide to either replace the gun or individual parts thereof. This will be done either by ourselves or an authorised service partner. The guarantee period will not be extended following the provision of services contained in this guarantee, and especially not if repairs or replacements are provided. The guarantee period will also not start again in such cases.

The guarantee cannot be used to make a claim against STEYR SPORT GmbH if:

- a) the gun is damaged or destroyed due to acts of God or environmental influences;
- b) damage occurs due to improper use;
- c) damages are caused by normal wear and tear or due to non-compliance with the instructions and if the gun contains mechanical damage, regardless of what type;
- d) the serial number was removed;
- e) insufficient or incorrect maintenance;
- f) the gun was repaired or modified by someone not authorised by STEYR SPORT GmbH;

g) if the gun was purchased from a merchant not authorised by STEYR SPORT GmbH (on request we will be happy to provide you with information about our authorised merchants, please also see the current list of all merchants on www.steyr-sport.com);

h) if the gun was made more than three years before it was purchased.

Compensation and product liability

Direct and indirect damage will not be compensated for. Liability for material damages resulting from the product liability law, BGBL 99/1988, as well as any product liability claims that could be derived from other provisions, are excluded. The object of purchase only offers the security that can be expected on the basis of approval regulations, operating manuals and other instructions given. The aforementioned provisions contain a comprehensive description of the legal relationship with us. Further claims, especially for damages and losses of any type that arise due to the gun itself or use of it, are excluded.

The STEYR SPORT shooting-performance guarantee

Our gun barrels are manufactured based on the latest research and using high-quality steel. Our guns are characterised by excellent performance. But the precision is dependent on many other factors. By far the most important factor is the ammunition. Not all gun barrels give the same performance with the same ammunition. There can be significant differences. If the correct ammunition is chosen, we can guarantee outstanding performance of our guns. If you would like to check the precision with fixed barrels, please note that the weapon is only fixed in the area of the solid trigger.

Place of fulfilment and applicable law

This guarantee is subject exclusively to Austrian law to the exclusion of the referral norms and UN commercial law. The place of fulfilment for obligations resulting from this guarantee is A-4432 Ernsthofen. If legally permissible, the place of jurisdiction will be the responsible court for A-4432 Ernsthofen.

10 PARTS LIST STEYR Challenge Field Target

Item	Designation
1	Housing Challenge
2	Weight cam
3	Catch rod
4	Trigger carrier
5	Trigger housing
6	Sear
7	Foam Ring
8	Slotted set screw M6x8
9	Pressure spring
10	Pressure spring
11	Slotted set screw
12	O-ring 6x2
13	Clamping screw
14	Safety lever
15	Striker
16	Trigger blade
17	Trigger pin
18	Slotted set screw M3x5
19	Slotted set screw M3x3
20	Fillister head screw M3x8
21	Bellview washer
22	Trigger mount complete
23	Slotted set screw M3x0.35x6x2.5
24	O-Ring 2.9x1.8
25	Pressure spring
26	Adapter
27	Rubber screw lock
28	Velocity screw
29	Draw spring
30	Draw spring
31	Torsion spring
32	O-Ring 24x2
33	Parallel pin 3m6x24
34	Drift pin 3m6x10
35	Spring-type straight pin 2x8-ST
36	STARLOCK disc

Item	Designation
37	Slotted set screw M5x8
38	Washer A3.2
39	Pressure spring
40	Valve complete LP/LG
42	Countersunk screw M3x10 TORX
43	Bolt
45	Stabilizer
46	Catch Lever
47	Ball 2.0 mm
48	Drag ring
49	Pressure spring
50	Slotted set screw M3x10
51	O-Ring 3x1.5
52	Drift pin 1.5m6x7
53	O-ring 5.28x1.78
54	Drift pin 2m6x6
55	Sealing disc
60	Screw
61	Grip rod mount
62	Parallel pin
63	Grip locking rod
66	Cover plate
67	Allen head cap screw M5x16
70	Spring
76	Cheek piece carrier
79	Washer
80	Slotted set screw M5x6
81	Allen set screw M8x16
82	Stock carrier
83	Cheek piece screw
85	Thumbscrew
86	Slotted set screw M3x8
87	Butt plate rod
88	Clamp piece Cheek piece
89	Butt plate retainer
90	Washer M5.3 A
91	Slotted set screw
92	Allen head cap screw

Item	Designation
94	Sleeve
97	Cheek piece rod
98	Allen head cap screw M4x12
99	Washer A 4.3
100	Allen head cap screw M5x16
101	Cheek piece plate
102	Parallel pin
103	Pressure spring
104	Ball
105	Sliding block
106	Thumbscrew
107	Washer
108	Allen head cap screw
109	Slotted set screw
110	Clamping piece
111	Cheek piece Challenge
114	Slotted cheese head screw M5x35
117	Bolt cover
119	Slotted set screw M5x5
120	Washer 5.3
127	Pin
153	O-Ring 36x2
156	Stabilizer
157	Cocking lever handle right
158	Counter sunk screw M4x10
159	Grip
160	Pistol grip angle adjusting disc
161	Stock bracket
162	Clamp piece
164	Allen set screw M5x6
166	Stock cover
173	Allen head cap screw
177	O-Ring 13x2
178	Disc spring
179	Ball bearing
180	Cocking lever roller
181	Bolt axle
182	Roller

Item	Designation
183	Countersunk screw M3x5
184	Countersunk screw M3x12
189	Allen head cap screw
202	Washer
210	Sliding block
230	Fore arm FT 2011
231	Fore arm carrier long
232	Allen head cap screw M5x80
233	Pressure spring
234	Slotted cheese head screw M6x30
235	Washer 6.4x16
237	Screw nut SK
241	8 duct compensator cone
244	Compensator FT 2011
251	Barrel 4.5 mm / .177 550 mm
261	Washer M5.3 A
283	Pressure spring
286	Allen set screw M5x6

Subunits

3,1	Bolt complete
5,2	Trigger unit
6,1	Pistol grip angle adjusting disc complete
8,1	Pressure reducing valve complete
9,1	Compressed air cylinder complete
10,6	Back stock complete
22,1	Trigger blade complete
25,1	Cocking lever complete right
38,1	Filling Adapter complete
44	Bolt axle complete
55,1	Sealing disc complete
110	Cheek piece complete
182,1	Stock complete

11 PARTS LIST STEYR Challenge HFT

Item	Designation
1	Housing Challenge
2	Weight cam
3	Catch rod
4	Trigger carrier
5	Trigger housing
6	Sear
7	Foam Ring
8	Slotted set screw M6x8
9	Pressure spring
10	Pressure spring
11	Slotted set screw M3x10
12	O-ring 6x2
13	Clamping screw
14	Safety lever
15	Striker
16	Trigger blade
17	Trigger pin
18	Slotted set screw M3x5
19	Slotted set screw M3x3
20	Fillister head screw M3x8
21	Bellview washer
22	Trigger mount complete
23	Slotted set screw M3x0.35x6x2.5
24	O-Ring 2.9x1.8
25	Pressure spring
26	Adapter
27	Rubber screw lock
28	Velocity screw
29	Draw spring
30	Draw spring
31	Torsion spring
32	O-Ring 24x2
33	Parallel pin 3m6x24
34	Drift pin 3m6x10
35	Spring-type straight pin 2x8-ST
36	STARLOCK disc
37	Slotted set screw M5x8

Item	Designation
38	Washer A3.2
39	Pressure spring
40	Valve complete LP/LG
42	Countersunk screw M3x10 TORX
43	Bolt
45	Stabilizer
46	Catch Lever
47	Ball 2.0 mm
48	Drag ring
49	Pressure spring
50	Slotted set screw M3x10
51	O-Ring 3x1.5
52	Drift pin 1.5m6x7
53	O-ring 5.28x1.78
54	Drift pin 2m6x6
55	Sealing disc
56	Barrel 4.5 mm / ,177 black 450 mm
59	Butt plate
60	Upper support
61	Grip rod mount
62	Parallel pin
63	Grip locking rod
64	Rubber butt plate spikes
65	Drift pin 2m6x8
66	Drift pin 2m6x12
67	Allen head cap screw M5x16
68	Butt plate rod
69	Allen head cap screw M5x12
70	Spring
71	Stock carrier
72	Butt rod
73	Butt plate mount
74	Slotted set screw M8x10
75	Washer M5.3 A
76	Cheek piece carrier
77	Cheek piece rod
79	Thread insert M4
80	Slotted set screw M5x6

Item	Designation
81	Allen set screw M8x16
82	Hexagon nut M5-5
83	Pressure spring
86	Slotted set screw M3x8
87	Allen head cap screw M4x12
109	Fore arm
110	Sliding block
111	Washer
112	Allen head cap screw M5x30
113	Spacer
114	Allen screw M5x25
115	Allen head cap screw M5x18
116	Countersunkscrew M3x14
117	Bolt cover
119	Slotted set screw
120	Washer 5.3
127	Pin
153	O-Ring 36x2
156	Stabilizer
157	Cocking lever handle right
158	Counter sunk screw M4x10
159	Grip
160	Pistol grip angle adjusting disc
161	Stock bracket
162	Clamp piece
164	Allen set screw M5x6
166	Stock cover
173	Allen head cap screw
177	O-Ring 13x2
178	Disc spring
179	Ball bearing
180	Roller
181	Bolt axle
182	Cocking lever roller
183	Countersunk screw M3x5
202	Washer
283	Pressure spring
286	Allen set screw M5x6
378	Cheek piece

Item Designation**Subunits**

3,1	Bolt complete
5,2	Trigger unit
6,1	Pistol grip angle adjusting disc complete
7,3	Butt plate complete
7,2	Back stock complete
7,4	Cheek piece complete
7,5	Stock complete
8,1	Pressure reducing valve complete
9,1	Compressed air cylinder complete
10,1	Fore arm complete
22,1	Trigger blade complete
25,1	Cocking lever complete right
38,1	Filling Adapter complete
44	Bolt axle complete

12 PARTS LIST STEYR Challenge HFT Hunting

Item	Designation
1	Housing Challenge
2	Weight cam
3	Catch rod
4	Trigger carrier
5	Trigger housing
6	Sear
7	Foam Ring
8	Slotted set screw M6x8
9	Pressure spring
10	Pressure spring
11	Slotted set screw
12	O-ring 6x2
13	Clamping screw
14	Safety lever
15	Striker
16	Trigger blade
17	Trigger pin
18	Slotted set screw M3x5
19	Slotted set screw M3x3
20	Fillister head screw M3x8
21	Bellview washer
22	Trigger mount complete
23	Slotted set screw M3x0.35x6x2.5
24	O-Ring 2.9x1.8
25	Pressure spring
26	Adapter
27	Rubber screw lock
28	Velocity screw
29	Draw spring
30	Draw spring
31	Torsion spring
32	O-Ring 24x2
33	Parallel pin 3m6x24
34	Drift pin 3m6x10
35	Spring-type straight pin 2x8-ST
36	STARLOCK disc

Item	Designation
37	Slotted set screw M5x8
38	Washer A3.2
39	Pressure spring
40	Valve complete LP/LG
42	Countersunk screw M3x10 TORX
43	Bolt
45	Stabilizer
46	Catch Lever
47	Ball 2.0 mm
48	Drag ring
49	Pressure spring
50	Slotted set screw M3x10
51	O-Ring 3x1.5
52	Drift pin 1.5m6x7
53	O-ring 5.28x1.78
54	Drift pin 2m6x6
55	Sealing disc
56	Barrel 4.5 mm / ,177 black 450 mm
60	Screw
66	Cover plate
67	Allen head cap screw M5x16
70	Spring
74	Slotted set screw M8x10
77	Cheek piece rod
79	Thread insert M4
80	Slotted set screw M5x6
87	Allen head cap screw M4x12
109	Fore arm
110	Sliding block
111	Washer
112	Allen head cap screw M5x30
113	Spacer
114	Allen screw M5x25
115	Allen head cap screw M5x18
117	Bolt cover
119	Slotted set screw M5x5
120	Washer 5.3
127	Pin

Item	Designation
153	O-Ring 36x2
156	Cocking lever
157	Cocking lever handle right
158	Counter sunk screw M4x10
173	Allen head cap screw
177	O-Ring 13x2
179	Ball bearing
180	Roller
181	Bolt axle
182	Cocking lever roller
183	Countersunk screw M3x5
184	Countersunkscrew M3x12
185	Allen head cap screw M5x80
187	Stock Hunting
188	Butt plate elastic
189	Butt plate rail
191	Slotted cheese head screw
192	Stock clamp socket
193	Screw 3.5x45
200	Screw 2.5x12
201	Butt plate mount 10 mm
202	Teflon washer
283	Pressure spring
286	Allen set screw M5x6
376	Cheek piece rod

Subunits

3,1	Bolt complete
5,2	Trigger unit
8,1	Pressure reducing valve complete
9,1	Compressed air cylinder complete
10,1	Fore arm complete
22,1	Trigger blade complete
25,1	Cocking lever complete right
38,1	Filling Adapter complete
44	Bolt axle complete
55,1	Sealing disc complete
187,1	Stock complete
188,1	Butt plate complete

13 PARTS LIST STEYR Challenge Hunting

Item	Designation
1	Housing Challenge
2	Weight cam
3	Catch rod
4	Trigger carrier
5	Trigger housing
6	Sear
7	Foam Ring
8	Slotted set screw M6x8
9	Pressure spring
10	Pressure spring
11	Slotted set screw
12	O-ring 6x2
13	Clamping screw
14	Safety lever
15	Striker
16	Trigger blade
17	Trigger pin
18	Slotted set screw M3x5
19	Slotted set screw M3x3
20	Fillister head screw M3x8
21	Bellview washer
22	Trigger mount complete
23	Slotted set screw M3x0.35x6x2.5
24	O-Ring 2.9x1.8
25	Pressure spring
26	Adapter
27	Rubber screw lock
28	Velocity screw
29	Draw spring
30	Draw spring
31	Torsion spring
32	O-Ring 24x2
33	Parallel pin 3m6x24
34	Drift pin 3m6x10
35	Spring-type straight pin 2x8-ST
36	STARLOCK disc

Item	Designation
37	Slotted set screw M5x8
38	Washer A3.2
39	Pressure spring
40	Valve complete LP/LG
42	Countersunk screw M3x10 TORX
53	O-ring 5.28x1.78
54	Drift pin 2m6x6
55	Screw
56	Cover plate
60	Bolt HV
61	Screw
66	Cover plate
67	Spring
74	Slotted set screw M8x10
76	Cheek piece rod
77	Cheek piece rod
79	Thread insert M4
80	Slotted set screw M5x6
87	Allen head cap screw M4x12
115	Allen head cap screw M5x18
117	Bolt cover
119	Slotted set screw M5x5
120	Washer 5.3
127	Pin
153	O-Ring 36x2
156	Cocking lever
157	Cocking lever handle right
158	Counter sunk screw M4x10
173	Allen head cap screw
177	O-Ring 13x2
179	Ball bearing
180	Roller
181	Bolt axle
182	Cocking lever roller
183	Countersunk screw M3x5
184	Countersunkscrew M3x12
185	Allen head cap screw M5x80
187	Stock Hunting

Item	Designation
188	Butt plate elastic
189	Butt plate rail
191	Slotted cheese head screw
192	Stock clamp socket
193	Screw 3.5x45
200	Screw 2.5x12
201	Butt plate mount 10 mm
202	Teflon washer
283	Pressure spring
286	Allen set screw M5x6

Subunits

3,2	Bolt complete
5,2	Trigger unit
8,1	Trigger unit
9,1	Compressed air cylinder complete
22,1	Trigger blade complete
25,1	Cocking lever complete right
38,1	Filling Adapter complete
44	Bolt axle complete
187,1	Stock complete
188,1	Sealing disc complete