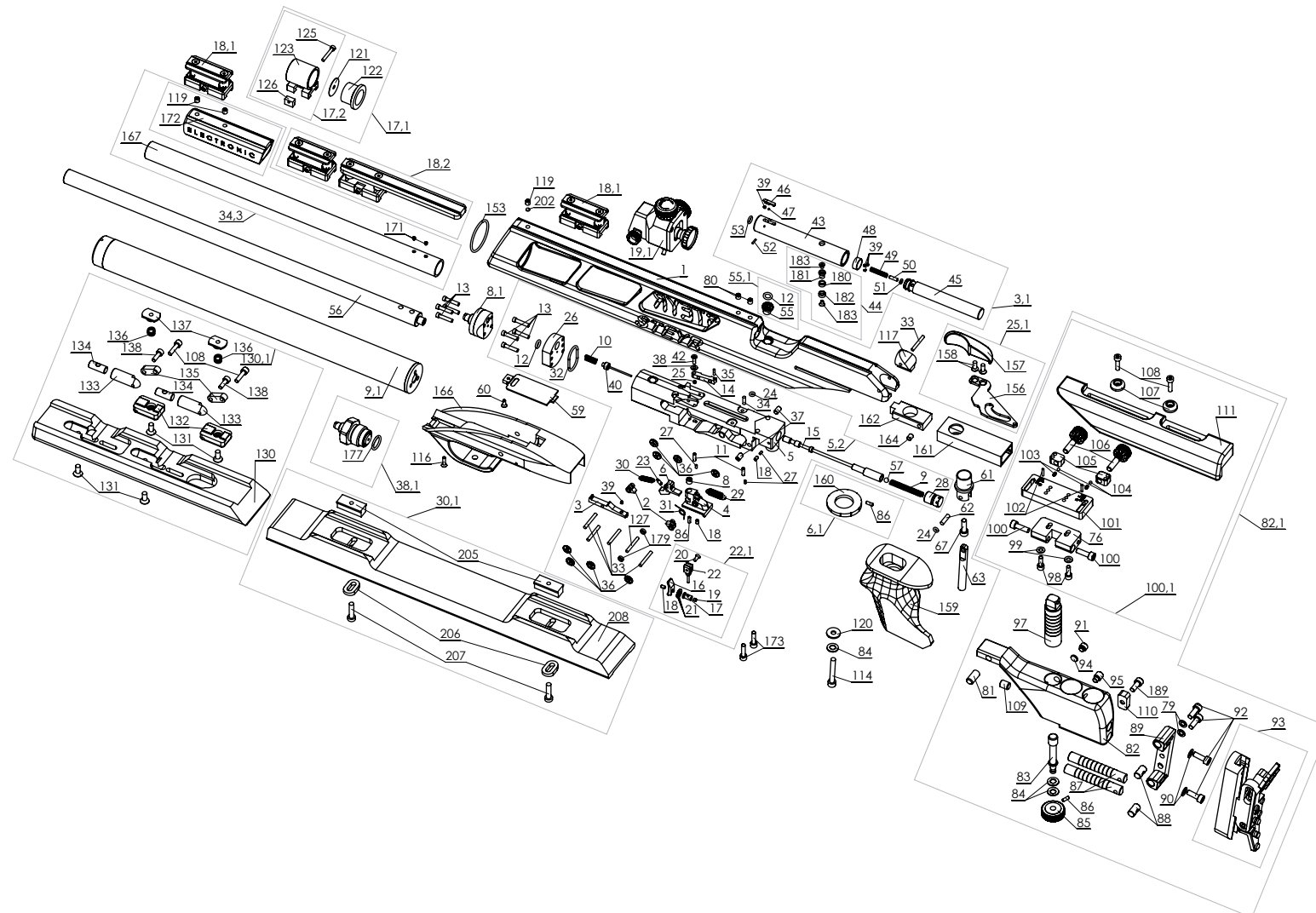


STEYR

STEYR Challenge / Challenge Bench Rest



Ersatzteile - Parts List

STEYR Challenge / Challenge Bench Rest

| Pos.Nr. | Artikelnummer | Bezeichnung | Part Name | Bem. |
|---------|---------------|---------------------------------------|-----------------------------------|------|
| Pos.No. | Part Number | | | Note |
| 1 | 4115020001 | Gehäuseträger Challenge | Housing Challenge | |
| 2 | 3401030003 | Einstellwippe | Weight cam | |
| 3 | 3401030016 | Raststange | Catch rod | |
| 4 | 3401030004 | Abzugträger | Trigger carrier | |
| 5 | 4101030001 | Abzuggehäuse | Trigger housing | |
| 6 | 3401030002 | Rasthebel | Sear | |
| 8 | 3900320 | Gewindestift M6x8 | Set screw M6x8 | |
| 9 | 4105030015 | Druckfeder | Pressure spring | |
| 10 | 4101030005 | Druckfeder | Pressure spring | |
| 11 | 3900053 | Gewindestift M4x12 für Gewinde M3: | Set screw M4x12 for thread M3: | |
| | 3902410 | Gewindestift M3x10 | Set screw M3x10 | |
| 12 | 3301020026 | O-Ring 6x2 | O-Ring 6x2 | |
| 13 | 4002090008 | Befestigungsschraube | Clamping screw | |
| 14 | 4101030006 | Sicherungshebel | Safety lever | |
| 15 | 4103030007 | Schlagstück | Striker | |
| 16 | 3401030021 | Zügelblatt | Trigger blade | # |
| 17 | 3401030022 | Zügel-Welle | Trigger pin | |
| 18 | 3900199 | Gewindestift M3x5 DIN 913 | Set screw M3x5 | |
| 19 | 3900334 | Gewindestift M3x3 | Set screw M3x3 | |
| 20 | 3820132 | Linsenkopfschraube M3x8 | Fillister head screw M3x8 | |
| 21 | 3220020 | Tellerfeder | Bellview washer | |
| 22 | 3401030423 | Abzug Klemmstück vollständig | Trigger mount complete | |
| 23 | 3900174 | Gewindestift M3x0,35x6x2,5 | Set screw M3x0.35x6x2.5 | |
| 24 | 4001090021 | O-Ring 2,9x1,8 | O-Ring 2.9x1.8 | |
| 25 | 2600030028 | Druckfeder | Pressure spring | |
| 26 | 4101030002 | Adapter | Adapter | |
| 27 | 3401030008 | Schraubensicherung | Rubber screw lock | |

Ersatzteile - Parts List

STEYR Challenge / Challenge Bench Rest

| Pos.Nr. | Artikelnummer | Bezeichnung | | Bem. |
|---------|---------------|---------------------------|---------------------------------|------|
| Pos.No. | Part Number | | Part Name | Note |
| 28 | 4103030008 | V0 Schraube | Velocity screw | |
| 29 | 3401030015 | Zugfeder | Draw spring | |
| 30 | 3401030013 | Zugfeder | Draw spring | |
| 31 | 3401030018 | Drehfeder | Torsion spring | |
| 32 | 6390011 | O-Ring 24x2 | O-Ring 24x2 | |
| 33 | 3900316 | Zylinderstift 3m6x24 | Paralell pin 3m6x24 | |
| 34 | 3900045 | Zylinderstift 3m6x10 | Drift pin 3m6x10 | |
| 35 | 3900456 | Spannstift 2x8-ST | Spring-type straight pin 2x8-ST | |
| 36 | 3200012 | STARLOCK Scheibe | STARLOCK disc | |
| 37 | 3900389 | Gewindestift M5x8 | Set screw M5x8 | |
| 38 | 3930221 | Scheibe A3,2 | Washer A3.2 | |
| 39 | 4301030006 | Druckfeder | Pressure spring | |
| 40 | 4005020515 | Arbeitsventil LP/LG | Valve complete LP/LG | |
| 42 | 3860313 | Senkschraube M3x10 TORX | Countersunk screw M3x10 TORX | |
| 43 | 4101040001 | Verschluss | Bolt | |
| 45 | 4101040002 | Stabilisator | Stabilizer | |
| 46 | 4005040003 | Fanghebel | Catch lever | |
| 47 | 3330018 | Kugel 2,0 mm | Ball 2.0 mm | |
| 48 | 4101040003 | Bremsring | Drag ring | |
| 49 | 4005040006 | Druckfeder | Pressure spring | |
| 50 | 3900346 | Gewindestift M3x10 | Set screw M3x10 | |
| 51 | 4002090018 | O-Ring 3x1,5 | O-Ring 3x1.5 | |
| 52 | 3900422 | Zylinderstift 1,5m6x7 | Drift pin 1.5m6x7 | |
| 53 | 6390050 | O-Ring 5,28x1,78 | O-Ring 5.28x1.78 | |
| 55 | 4101020007 | Dichtscheibe | Sealing disc | # |
| 56 | 4103010001 | Lauf 4,5 mm / .177 450 mm | Barrel 4.5 mm / .177 450 mm | |
| 57 | 3330010 | Stahlkugel 5,0 | Steel ball 5.0 | |
| 59 | 4105026005 | Batterieabdeckung | Battery cover | |

Ersatzteile - Parts List

STEYR Challenge / Challenge Bench Rest

| Pos.Nr. | Artikelnummer | Bezeichnung | | Bem. |
|---------|---------------|--------------------------------|----------------------------------|------|
| Pos.No. | Part Number | | Part Name | Note |
| 60 | 3860051 | Senkschraube M3x8 | Counter sunk screw M3x8 | |
| 61 | 4105060015 | Schaftschraube | Grip rod mount | |
| 62 | 3900195 | Zylinderstift 4m6x14 DIN 6325 | Slotted cheese head screw 4m6x14 | |
| 63 | 4105020033 | Haltestück | Grip locking rod | |
| 67 | 3860239 | Zylinderschraube M5x16 | Allen head cap screw M5x16 | |
| 76 | 4105060010 | Backenträger | Cheek piece carrier | |
| 79 | 3930245 | Scheibe M5 | Washer M5 | |
| 80 | 3900088 | Gewindestift M5x6 | Set screw M5x6 | |
| 81 | 3900028 | Gewindestift M8x16 | Allen set screw M8x16 | |
| 82 | 4105060001 | Schaftträger | Stock carrier | |
| 83 | 4105060006 | Backenschraube | Cheek piece screw | |
| 84 | 3220022 | Tellerfeder | Disc spring | |
| 85 | 4105060007 | Rändelschraube | Knurled screw | |
| 86 | 3900202 | Gewindestift M3x8 | Set screw M3x8 | |
| 87 | 4105060003 | Schaftkappenstange | Butt plate rod | |
| 88 | 4105060034 | Klemmstück Schaftbacke | Clamp piece | |
| 89 | 4105060002 | Schaftkappenhalter | Butt plate retainer | |
| 90 | 3930243 | Scheibe M5,3 A | Washer M5.3 A | |
| 91 | 3900115 | Gewindestift M8x8 DIN 915 | Set screw M8x8 | |
| 92 | 3860072 | Zylinderschraube M5x14 DIN 912 | Slotted cheese head screw M5x14 | |
| 93 | 4105060502 | Schaftkappe MEC Contact III | Butt plate MEC Contact III | |
| 94 | 4105060004 | Hülse | Sleeve | * |
| 95 | 3900030 | Gewindestift M8x12 DIN 915 | Set screw M8x12 | |
| 97 | 4105060008 | Backenstange | Cheek piece rod | |
| 98 | 3860235 | Zylinderschraube M4x12 | Allen head cap screw M4x12 | |
| 99 | 3930234 | Scheibe A 4,3 | Washer A 4.3 | |
| 100 | 3860239 | Zylinderschraube M5x16 | Allen head cap screw M5x16 | |
| 101 | 4105060013 | Backenplatte | Cheek piece plate | |

Ersatzteile - Parts List

STEYR Challenge / Challenge Bench Rest

| Pos.Nr. | Artikelnummer | Bezeichnung | | Bem. |
|---------|---------------|--|--|------|
| Pos.No. | Part Number | | Part Name | Note |
| 102 | 3900194 | Zylinderstift | Parallel pin | |
| 103 | 4301030008 | Druckfeder | Pressure spring | |
| 104 | 3330015 | Kugel 3mm Niro | Ball 3mm Niro | |
| 105 | 4105060011 | Backenkulissenstein | Cheek piece sliding block | |
| 106 | 4105060009 | Rastschraube | Notch screw | |
| 107 | 4105060014 | Scheibe | Washer | |
| 108 | 3860075 | Zylinderschraube M4x16 DIN 912 Niro | Slotted cheese head screw M4x16 Niro | |
| 109 | 3902628 | Passscheibe | Set screw M8x10 | |
| 110 | 4105060005 | Schaftklemmteil | Stock clamping piece | |
| 111 | 4105060012 | Schaftbacke Challenge | Cheek piece Challenge | |
| 114 | 3860111 | Zylinderschraube M5x35 | Allen screw M5x35 | |
| 116 | 3860206 | Senkkopfschraube | Countersunk screw | |
| 117 | 4101020003 | Verschlussabdeckung | Bolt cover | |
| 119 | 3900088 | Gewindestift M5x6 für Läufe ohne Ansenkung: | Set screw M5x6 for barrels without countersink: | |
| | 3900446 | Gewindestift M5x5 | Set screw M5x5 | |
| 120 | 3930035 | Scheibe 5,3 | Washer 5.3 | |
| 121 | 4506090004 | Plastiklochkorn | Plastic front sight | |
| 122 | 4506090003 | Kornhalteschraube | Front sight set screw | |
| 123 | 4506090001 | Korntunnel | Front sight tunnel | # |
| 125 | 4506090002 | Klemmschraube | Screw M3x20 | |
| 126 | 4506090021 | Klemmstück | Clamp piece | |
| 127 | 4101030003 | Lagerstift | Pin | |
| 130 | 4105060025 | Vorderschaft | Fore Arm | |
| 131 | 3860230 | Senkschraube M5x12 10.9 DIN 7991 | Countersunk screw M5x12 | |
| 132 | 4105060028 | Vorderschaftsträger | Front stock carrier | |
| 133 | 4105060027 | Basis | Basis | |
| 134 | 4105060026 | Klemmrolle | Clamping roll | |

Ersatzteile - Parts List

STEYR Challenge / Challenge Bench Rest

| Pos.Nr. | Artikelnummer | Bezeichnung | | Bem. |
|---------|---------------|-------------------------------------|----------------------------------|------|
| Pos.No. | Part Number | | Part Name | Note |
| 135 | 4105060029 | Gelenk | Pivot | |
| 136 | 3100030015 | Druckfeder | Pressure spring | |
| 137 | 4105060030 | Klemmstück | Clamping piece | |
| 138 | 3860234 | Zylinderschraube M4x12 DIN 912 Niro | Slotted cheese head screw M4x12 | |
| 153 | 6390016 | O-Ring 36x2 | O-Ring 36x2 | |
| 156 | 4101020004 | Ladehebel | Cocking lever | |
| 157 | 4101020012 | Ladehebelgriff rechts | Cocking lever handle right | |
| 158 | 3820178 | Senkschraube M4x10 | Counter sunk screw M4x10 | |
| 159 | 410506000G | Griff Challenge | Grip Challenge | |
| 160 | 4106060006 | Griffstellscheibe | Pistol grip angle adjusting disc | # |
| 161 | 4106060009 | Schaftanschlag | Stock bracket | |
| 162 | 4106060011 | Klemmstück | Clamp piece | |
| 164 | 3900087 | Gewindestift M5x6 | Allen set screw M5x6 | |
| 166 | 4105030011 | Schaftblende E | Stock cover Challenge | |
| 167 | 4106010002 | Laufmantel | Barrel cover | |
| 171 | 2200020003 | Gewindestift M4x0,5 | Set screw M4x0.5 | |
| 172 | 4105010005 | Visierträger Challenge | Sight carrier Challenge | |
| 173 | 3860078 | Zylinderschraube M4x16 | Allen screw M4x16 | |
| 177 | 4301020017 | O-Ring 13x2 | O-Ring 13x2 | |
| 179 | 3950001 | Kugellager MR 63 | Ball bearing MR 63 | |
| 180 | 4101040006 | Ladehebelrolle | Cocking lever roller | # |
| 181 | 4101040005 | Verschlussachse | Bolt axle | # |
| 182 | 4101040007 | Spannrolle | Roller | # |
| 183 | 3820173 | Senkkopfschraube M3x5 | Countersunk screw M3x5 | |
| 189 | 3860290 | Zylinderschraube | Allen head cap screw | |
| 202 | 4001090023 | Scheibe | Washer | |
| 205 | 4101060018 | Kulissenstein | Sliding block | |
| 206 | 4101060017 | Scheibe | Washer | |

Ersatzteile - Parts List

STEYR Challenge / Challenge Bench Rest

| Pos.Nr. | Artikelnummer | Bezeichnung | | Bem. |
|---------|---------------|--------------------------------|----------------------------------|------|
| Pos.No. | Part Number | | Part Name | Note |
| 207 | 3860070 | Zylinderschraube M5x20 | Slotted cheese head screw M5x20 | |
| 208 | 4107060004 | Vorderschaft Auflage Challenge | Front stock Bench Rest Challenge | |

Baugruppen

Subunits

| | | | | |
|-------|------------|--|---|---|
| 3,1 | 4106040501 | Verschluss vollständig | Bolt complete | |
| 5,2 | 4101030502 | Abzugseinheit Challenge Mechanik | Trigger Unit Challenge mechanic | |
| 6,1 | 4106060506 | Griffstellscheibe vollständig | Grip adjusting plate | * |
| 8,1 | 4101090510 | Druckminderventil LG | Pressure reducing valve | |
| 8,2 | info DMV | bitte Energie, Kaliber und Modell angeben | please specify energy, calibre and model | |
| 9,1 | 4101090501 | Druckbehälter vollständig | Compressed air cylinder complete | * |
| 17,1 | 4506090501 | Korntunnel vollständig | Front sight tunnel complete | * |
| 17,2 | 4506090301 | Korntunnel montiert | Front sight tunnel mounted | # |
| 18,1 | 4506090505 | Visiererhöhung vollständig | Sight riser complete | * |
| 18,2 | 4506090506 | Visiererhöhung vollst. Auflage | Sight riser compl. Bench Rest | # |
| 19,1 | 4506090510 | Diopter vollständig | Diopter | * |
| 22,1 | 3401030600 | Zügel vollständig | Trigger blade complete | * |
| 25,1 | 4101020504 | Ladehebel vollständig rechts | Cocking lever complete right | |
| 30,1 | 4107060504 | Vorderschaft Auflage Challenge vollständig | Front stock Bench Rest Challenge complete | * |
| 34,3 | 4105010502 | Laufmantel Challenge vollst. | Barrel cover complete | |
| 38,1 | 4101090504 | Füllstück vollständig | Filling Adapter complete | * |
| 44 | 4101040505 | Verschlussachse vollständig | Bolt axle complete | |
| 55,1 | 4101020507 | Dichtscheibe vollständig | Sealing disc complete | * |
| 82,1 | 4105060501 | Schaft vollständig | Stock complete | |
| 100,1 | 4105060512 | Schaftbacke vollständig | Cheek piece complete | * |
| 130,1 | 4105060525 | Vorderschaft Challenge vollständig | Fore arm complete | * |

*

siehe Preisliste Sportwaffen

see price list sporting arms

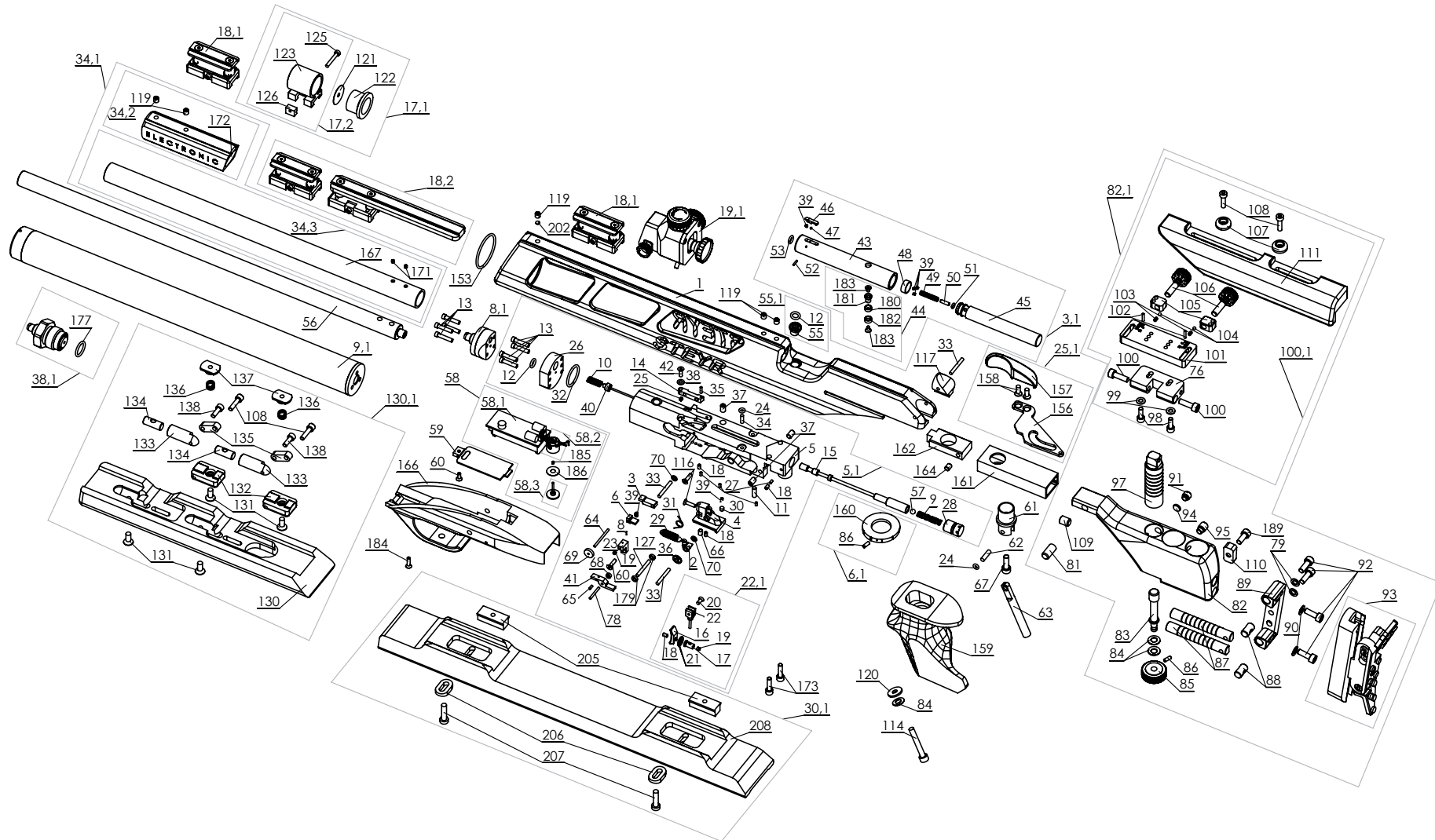
#

Teile einzeln nicht erhältlich

single parts are not available

STEYR

STEYR Challenge E / Challenge E Bench Rest



Ersatzteile - Parts List

STEYR Challenge E / Challenge E Bench Rest

| Pos.Nr. | Artikelnummer | Bezeichnung | Part Name | Bem. |
|---------|---------------|------------------------------|---------------------------|------|
| Pos.No. | Part Number | | | Note |
| 1 | 4115020001 | Gehäuseträger Challenge | Housing Challenge | |
| 2 | 3401030003 | Einstellwippe | Weight cam | |
| 3 | 4105030005 | Stollen | Bar | |
| 4 | 4105030007 | Abzugträger | Trigger carrier | |
| 5 | 4105030001 | Abzugsgehäuse | Trigger unit | |
| 6 | 4105030006 | Hebel | Sear | |
| 8 | 4105030008 | Kontakt | Contact | |
| 9 | 4105030015 | Druckfeder | Pressure spring | |
| 10 | 4301020026 | Druckfeder | Pressure spring | |
| 11 | 3900053 | Gewindestift M4x12 | Set screw M4x12 | |
| 12 | 3301020026 | O-Ring 6x2 | O-Ring 6x2 | |
| 13 | 4002090008 | Befestigungsschraube | Clamping screw | |
| 14 | 4101030006 | Sicherungshebel | Safety lever | |
| 15 | 4103030007 | Schlagstück | Striker | |
| 16 | 3401030021 | Züngerblatt | Trigger blade | # |
| 17 | 3401030022 | Zünger-Welle | Trigger pin | |
| 18 | 3900199 | Gewindestift M3x5 DIN 913 | Set screw M3x5 | |
| 19 | 3900334 | Gewindestift M3x3 | Set screw M3x3 | |
| 20 | 3820132 | Linsenkopfschraube M3x8 | Fillister head screw M3x8 | |
| 21 | 3220020 | Tellerfeder | Bellview washer | |
| 22 | 3401030423 | Abzug Klemmstück vollständig | Trigger mount complete | |
| 23 | 4105030003 | Kontakthalter | Contact retainer | |
| 24 | 4001090021 | O-Ring 2,9x1,8 | O-Ring 2.9x1.8 | |
| 25 | 2600030028 | Druckfeder | Pressure spring | |
| 26 | 4101030002 | Adapter | Adapter | |
| 27 | 3401030008 | Schraubensicherung | Rubber screw lock | |
| 28 | 4103030008 | V0 Schraube | Velocity screw | |
| 29 | 3401030015 | Zugfeder | Draw spring | |

Ersatzteile - Parts List

STEYR Challenge E / Challenge E Bench Rest

| Pos.Nr. | Artikelnummer | Bezeichnung | | Bem. |
|---------|---------------|---------------------------|---------------------------------|------|
| Pos.No. | Part Number | | Part Name | Note |
| 30 | 3900059 | Gewindestift M4x5 90° | Set screw M4x5 | |
| 31 | 3401030018 | Drehfeder | Torsion spring | |
| 32 | 3301020029 | O-Ring 18x2 | O-Ring 18x2 | |
| 33 | 3900316 | Zylinderstift 3m6x24 | Paralell pin 3m6x24 | |
| 34 | 3900045 | Zylinderstift 3m6x10 | Drift pin 3m6x10 | |
| 35 | 3900456 | Spannstift 2x8-ST | Spring-type straight pin 2x8-ST | |
| 36 | 3200012 | STARLOCK Scheibe | STARLOCK disc | |
| 37 | 3900389 | Gewindestift M5x8 | Set screw M5x8 | |
| 38 | 3930221 | Scheibe A3,2 | Washer A3.2 | |
| 39 | 4301030006 | Druckfeder | Pressure spring | |
| 40 | 4005020515 | Arbeitsventil LP/LG | Valve complete LP/LG | |
| 41 | 4105030004 | Wippe | Rocker | |
| 42 | 3860313 | Senkschraube M3x10 TORX | Countersunk screw M3x10 TORX | |
| 43 | 4101040001 | Verschluss | Bolt | |
| 45 | 4101040002 | Stabilisator | Stabilizer | |
| 46 | 4005040003 | Fanghebel | Catch lever | |
| 47 | 3330018 | Kugel 2,0 mm | Ball 2.0 mm | |
| 48 | 4101040003 | Bremsring | Drag ring | |
| 49 | 4005040006 | Druckfeder | Pressure spring | |
| 50 | 3900346 | Gewindestift M3x10 | Set screw M3x10 | |
| 51 | 4002090018 | O-Ring 3x1,5 | O-Ring 3x1.5 | |
| 52 | 3900422 | Zylinderstift 1,5m6x7 | Drift pin 1.5m6x7 | |
| 53 | 6390050 | O-Ring 5,28x1,78 | O-Ring 5.28x1.78 | |
| 55 | 4101020007 | Dichtscheibe | Sealing disc | # |
| 56 | 4103010001 | Lauf 4,5 mm / .177 450 mm | Barrel 4.5 mm / .177 450 mm | |
| 57 | 3330010 | Stahlkugel 5,0 | Steel ball 5.0 | |
| 58,1 | 4105030412 | Elektronikmodul LG | Electronic board air rifle | |
| 59 | 4105020005 | Batterieabdeckung | Battery cover | |

Ersatzteile - Parts List

STEYR Challenge E / Challenge E Bench Rest

| Pos.Nr. | Artikelnummer | Bezeichnung | | Bem. |
|---------|---------------|--------------------------------|----------------------------------|------|
| Pos.No. | Part Number | | Part Name | Note |
| 60 | 3860051 | Senkschraube M3x8 | Counter sunk screw M3x8 | |
| 61 | 4105060015 | Schaftschraube | Grip rod mount | |
| 62 | 3900195 | Zylinderstift 4m6x14 DIN 6325 | Slotted cheese head screw 4m6x14 | |
| 63 | 4105020033 | Haltestück | Grip locking rod | |
| 64 | 3900180 | Zylinderstift | Paralell pin | |
| 65 | 3900075 | Gewindestift | Set screw | |
| 66 | 3900204 | Gewindestift M4x6 | Set screw M4x6 | |
| 67 | 3860239 | Zylinderschraube M5x16 | Allen head cap screw M5x16 | |
| 68 | 3950003 | Kugellager MR 52 | Ball bearing MR 52 | |
| 69 | 4101030004 | Scheibe Abzugssicherung | Disc trigger sear | |
| 70 | 3930006 | Passscheibe | Washer | |
| 76 | 4105060010 | Backenträger | Cheek piece carrier | |
| 79 | 3930245 | Scheibe M5 | Washer M5 | |
| 81 | 3900028 | Gewindestift M8x16 | Allen set screw M8x16 | |
| 82 | 4105060001 | Schaftträger | Stock carrier | |
| 83 | 4105060006 | Backenschraube | Cheek piece screw | |
| 84 | 3220022 | Tellerfeder | Disc spring | |
| 85 | 4105060007 | Rändelschraube | Knurled screw | |
| 86 | 3900202 | Gewindestift M3x8 | Set screw M3x8 | |
| 87 | 4105060003 | Schaftkappenstange | Butt plate rod | |
| 88 | 4105060034 | Klemmstück Schaftbacke | Clamp piece | |
| 89 | 4105060002 | Schaftkappenhalter | Butt plate retainer | |
| 90 | 3930243 | Scheibe M5,3 A | Washer M5.3 A | |
| 91 | 3900115 | Gewindestift M8x8 DIN 915 | Set screw M8x8 | |
| 92 | 3860072 | Zylinderschraube M5x14 DIN 912 | Slotted cheese head screw M5x14 | |
| 94 | 4105060004 | Hülse | Sleeve | * |
| 95 | 3900030 | Gewindestift M8x12 DIN 915 | Set screw M8x12 | |
| 97 | 4105060008 | Backenstange | Cheek piece rod | |

Ersatzteile - Parts List

STEYR Challenge E / Challenge E Bench Rest

| Pos.Nr. | Artikelnummer | Bezeichnung | | Bem. |
|---------|---------------|-------------------------------------|--------------------------------------|------|
| Pos.No. | Part Number | | Part Name | Note |
| 98 | 3860235 | Zylinderschraube M4x12 | Allen head cap screw M4x12 | |
| 99 | 3930234 | Scheibe A 4,3 | Washer A 4.3 | |
| 100 | 3860239 | Zylinderschraube M5x16 | Allen head cap screw M5x16 | |
| 101 | 4105060013 | Backenplatte | Cheek piece plate | |
| 102 | 3900194 | Zylinderstift | Parallel pin | |
| 103 | 4301030008 | Druckfeder | Pressure spring | |
| 104 | 3330015 | Kugel 3mm Niro | Ball 3mm Niro | |
| 105 | 4105060011 | Backenkulissenstein | Cheek piece sliding block | |
| 106 | 4105060009 | Rastschraube | Notch screw | |
| 107 | 4105060014 | Scheibe | Washer | |
| 108 | 3860075 | Zylinderschraube M4x16 DIN 912 Niro | Slotted cheese head screw M4x16 Niro | |
| 109 | 3902628 | Gewindestift M8x10 | Set screw M8x10 | |
| 110 | 4105060005 | Schaftklemmteil | Stock clamping piece | |
| 111 | 4105060012 | Schaftbacke Challenge | Cheek piece Challenge | |
| 114 | 3860111 | Zylinderschraube M5x35 | Allen screw M5x35 | |
| 116 | 3860206 | Senkkopfschraube | Countersunk screw | |
| 117 | 4101020003 | Verschlussabdeckung | Bolt cover | |
| 119 | 3900088 | Gewindestift M5x6 | Set screw M5x6 | |
| | | für Läufe ohne Ansenkung: | for barrels without countersink: | |
| | 3900446 | Gewindestift M5x5 | Set screw M5x5 | |
| 120 | 3930035 | Scheibe 5,3 | Washer 5.3 | |
| 121 | 4506090004 | Plastiklochkorn | Plastic front sight | |
| 122 | 4506090003 | Kornhalteschraube | Front sight set screw | |
| 123 | 4506090001 | Korntunnel | Front sight tunnel | # |
| 125 | 4506090002 | Klemmschraube | Screw M3x20 | |
| 126 | 4506090021 | Klemmstück | Clamp piece | |
| 127 | 4101030003 | Lagerstift | Pin | |
| 130 | 4105060025 | Vorderschaft | Fore Arm | |

Ersatzteile - Parts List

STEYR Challenge E / Challenge E Bench Rest

| Pos.Nr. | Artikelnummer | Bezeichnung | | Bem. |
|---------|---------------|-------------------------------------|----------------------------------|------|
| Pos.No. | Part Number | | Part Name | Note |
| 131 | 3860230 | Senkschraube M5x12 10.9 DIN 7991 | Countersunk screw M5x12 | |
| 132 | 4105060028 | Vorderschaftsträger | Front stock carrier | |
| 133 | 4105060027 | Basis | Basis | |
| 134 | 4105060026 | Klemmrolle | Clamping roll | |
| 135 | 4105060029 | Gelenk | Pivot | |
| 136 | 3100030015 | Druckfeder | Pressure spring | |
| 137 | 4105060030 | Klemmstück | Clamping piece | |
| 138 | 3860234 | Zylinderschraube M4x12 DIN 912 Niro | Slotted cheese head screw M4x12 | |
| 153 | 6390016 | O-Ring 36x2 | O-Ring 36x2 | |
| 156 | 4101020004 | Ladehebel | Cocking lever | |
| 157 | 4101020012 | Ladehebelgriff rechts | Cocking lever handle right | |
| 158 | 3820178 | Senkschraube M4x10 | Counter sunk screw M4x10 | |
| 159 | 410506000G | Griff Challenge | Grip Challenge | |
| 160 | 4106060006 | Griffstellscheibe | Pistol grip angle adjusting disc | # |
| 161 | 4106060009 | Schaftanschlag | Stock bracket | |
| 162 | 4106060011 | Klemmstück | Clamp piece | |
| 164 | 3900087 | Gewindestift M5x6 | Allen set screw M5x6 | |
| 166 | 4105030011 | Schaftblende E | Stock cover Challenge | |
| 167 | 4106010002 | Laufmantel | Barrel cover | |
| 171 | 2200020003 | Gewindestift M4x0,5 | Set screw M4x0.5 | |
| 172 | 4105010005 | Visierträger Challenge | Sight carrier Challenge | |
| 173 | 3860078 | Zylinderschraube M4x16 | Allen screw M4x16 | |
| 177 | 4301020017 | O-Ring 13x2 | O-Ring 13x2 | |
| 179 | 3950001 | Kugellager MR 63 | Ball bearing MR 63 | |
| 180 | 4101040006 | Ladehebelrolle | Cocking lever roller | # |
| 181 | 4101040005 | Verschlussachse | Bolt axle | # |
| 182 | 4101040007 | Spannrolle | Roller | # |
| 183 | 3820173 | Senkkopfschraube M3x5 | Countersunk screw M3x5 | |

Ersatzteile - Parts List

STEYR Challenge E / Challenge E Bench Rest

| Pos.Nr. | Artikelnummer | Bezeichnung | Part Name | Bem. |
|----------------|----------------------|--------------------------------|----------------------------------|-------------|
| Pos.No. | Part Number | | Part Name | Note |
| 184 | 3860206 | Senkkopfschraube | Countersunk screw | |
| 185 | 3200016 | Druckfeder | Pressure spring | |
| 186 | 4008030015 | Scheibe | Washer | |
| 189 | 3860290 | Zylinderschraube | Allen head cap screw | |
| 202 | 4001090023 | Scheibe | Washer | |
| 205 | 4101060018 | Kulissenstein | Sliding block | |
| 206 | 4101060017 | Scheibe | Washer | |
| 207 | 3860070 | Zylinderschraube M5x20 | Slotted cheese head screw M5x20 | |
| 208 | 4107060004 | Vorderschaft Auflage Challenge | Front stock Bench Rest Challenge | |

Baugruppen

Subunits

| | | | | |
|------|------------|--|---|---|
| 3,1 | 4106040501 | Verschluss vollständig | Bolt complete | |
| 5,1 | 4105030501 | Abzugseinheit Challenge Elektronik | Trigger unit Challenge electronic | |
| 6,1 | 4106060506 | Griffstellscheibe vollständig | Grip adjusting plate | * |
| 8,1 | 4101090510 | Druckminderventil LG | Pressure reducing valve | |
| | | bitte Energie, Kaliber und Modell angeben | please specify energy, calibre and model | |
| 9,1 | 4101090501 | Druckbehälter vollständig | Compressed air cylinder complete | * |
| 17,1 | 4506090501 | Korntunnel vollständig | Front sight tunnel complete | * |
| 17,2 | 4506090301 | Korntunnel montiert | Front sight tunnel mounted | # |
| 18,1 | 4506090505 | Visierhöhung vollständig | Sight riser complete | * |
| 18,2 | 4506090506 | Visierhöhung vollst. Auflage | Sight riser compl. Bench Rest | # |
| 19,1 | 4506090510 | Diopter vollständig | Diopter | * |
| 22,1 | 3401030600 | Zügel vollständig | Trigger blade complete | * |
| 25,1 | 4101020504 | Ladehebel vollständig rechts | Cocking lever complete right | |
| 30,1 | 4107060504 | Vorderschaft Auflage Challenge vollständig | Front stock Bench Rest Challenge complete | * |
| 34,1 | 4105010502 | Laufmantel Challenge vollst. | Barrel cover complete | |
| 34,2 | 4105010505 | Visierträger Challenge vollständig | Muzzle extension Challenge compl. | |

| Ersatzteile - Parts List | | | | |
|--|---------------|------------------------------------|-------------------------------------|------|
| STEYR Challenge E / Challenge E Bench Rest | | | | |
| Pos.Nr. | Artikelnummer | Bezeichnung | | Bem. |
| Pos.No. | Part Number | | Part Name | Note |
| 34,3 | 4106010512 | Laufmantel montiert | Barrel cover mounted | |
| 38,1 | 4101090504 | Füllstück vollständig | Filling Adapter complete | * |
| 44 | 4101040505 | Verschlussachse vollständig | Bolt axle complete | |
| 55,1 | 4101020507 | Dichtscheibe vollständig | Sealing disc complete | * |
| 58 | 4105030514 | Elektronikmodul LG vollständig | Electronic board air rifle complete | |
| 58,1 | 4105030010 | Elektronikmodul vollständig | Electronic board complete | # |
| 58,2 | 4008030412 | Elektronik Spule montiert | Electronic coil mounted | |
| 58,3 | 4008030411 | Schläger montiert | Hammer mounted | |
| 82,1 | 4105060501 | Schaft vollständig | Stock complete | |
| 93 | 4105060502 | Schaftkappe MEC Contact III | Butt plate MEC Contact III | |
| 100,1 | 4105060512 | Schaftbacke vollständig | Cheek piece complete | * |
| 130,1 | 4105060525 | Vorderschaft Challenge vollständig | Fore arm complete | * |

*

siehe Preisliste Sportwaffen

see price list sporting arms

#

Teile einzeln nicht erhältlich

single parts are not available